

# EASY-SET SYSTEM

**Main Features**  
 The Easy-Set tool bar makes MaterMacc the most versatile machine on the market and rises its value. It allows the farmer to set any row spacing, according to crop planted, from a minimum of 37,5 cm to 70-75-80 cm. in the standard versions, but different spacing may be

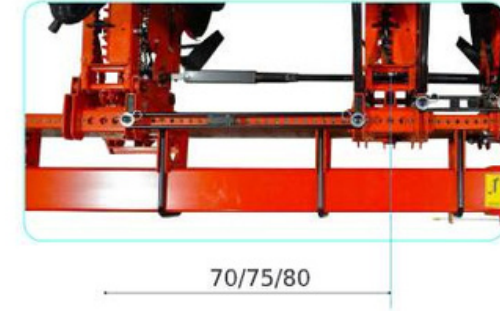


**Main Features**  
 For the configuration of planter from 12 to 8 rows, it is not necessary to remove planting units. By using the planting unit lifting device, which is standard, it is possible to

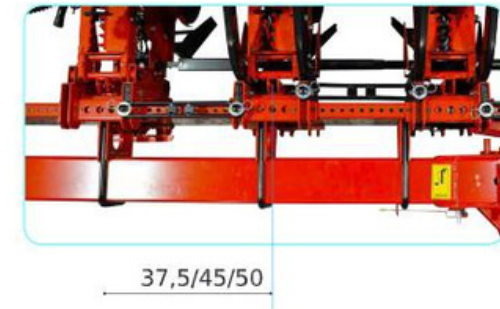
**Row spacer**  
 By changing row spacers, in short time, you could have different configurations providing the best flexibility to final user.  
 Only one planter for all agronomic needs of cultivations.



**Large spacer**  
 Row distance for 70-75-80 cm



**Narrow spacer**  
 Row distance for 37,5-45-50 cm



Frame sections which can be shortened  
 Frame arms which can be removed and shortened for



Version: 8 rows, 70/75/80 cm row spacing, 6 m working width



Version: 12 rows, 37,5/45/50 cm row spacing, 6 m working width

